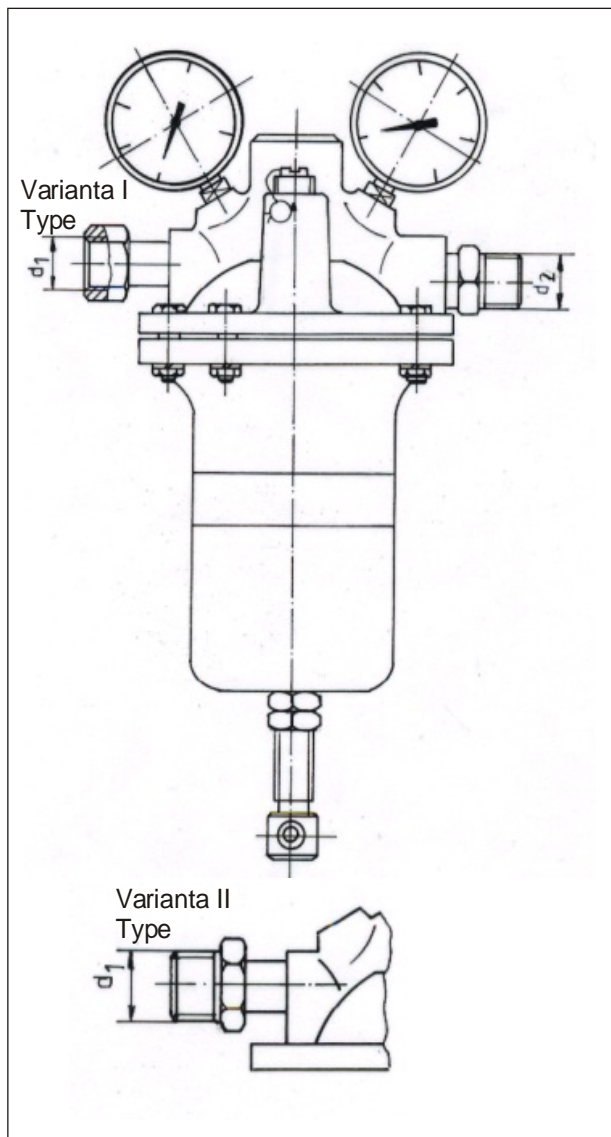


REDUCTOR DE PRESIUNE PENTRU CONDUCTE DE GAZE CU DEBIT MARIT PRESSURE REDUCER FOR GAS TUBES WITH ENHANCED FLOW RPCM - *

CARACTERISTICI TEHNICE TECHNICAL CHARACTERISTICS



- Presiune nominala la intrare (max.) :40 bar.
- Presiune nominala la iesire (max.) :16 bar.
- Debit (max.) :200 m³/h.
- Material :alama.
- Dimensiuni de gabarit[mm]:350x200x150
- Temperatura de functionare : - 20°C... +60°C.
- Nominal inlet pressure (max.) : 40 bar.
- Nominal outlet pressure (max.) : 16 bar.
- Flow (max.) : 200 m³/h.
- Material : brass.
- Overall dimensions [mm] : 350x200x150.
- Working temperature :-20 °C...+ 60 °C.

d ₁		d ₂
Varianta I Type	Variantall Type II	
G3/4	—	G3/4
—	G1/2 G3/4	G1/2 G3/4

Tipul gazului Gas type	Simbol gaz Gas symbol
Oxigen Oxygen	O
Azot Nitrogen	N
Aer comprimat Compressed air	D

TRUSE DE SUDARE SI TAIERE OXIGAZ;REDUCTOARE DE PRESIUNE PENTRU BUTELII DE GAZE;ROBINETI PENTRU BUTELII DE GAZE;
APARATE DE TAIERE OXIGAZ;GENERATOARE SI MINIGENERATOARE ACETILENA; ROBINETI CU SFERA; ECHIPAMENT MEDICAL;
ECHIPAMENT PENTRU INSTALATII SI REțele DE GAZE; CONFECTII METALICE; PIESE TURNATE DIN NEFEROASE; SERVICE.

OXY-GAS CUTTING AND WELDING KITS; PRESSURE REDUCERS FOR GAS CYLIDERS; ACETYLENE GENERATORS AND MINIGENERATORS ;
ALL VALVES ;MEDICAL EQUIPMENT; DEVICES FOR DIVING EQUIPMENT; EQUIPMENT FOR GAS INSTALLATION AND NETWORKS; METAL
CONSTRUCTION ;NON - FERROUS METAL CASTINGS;; SERVICE.